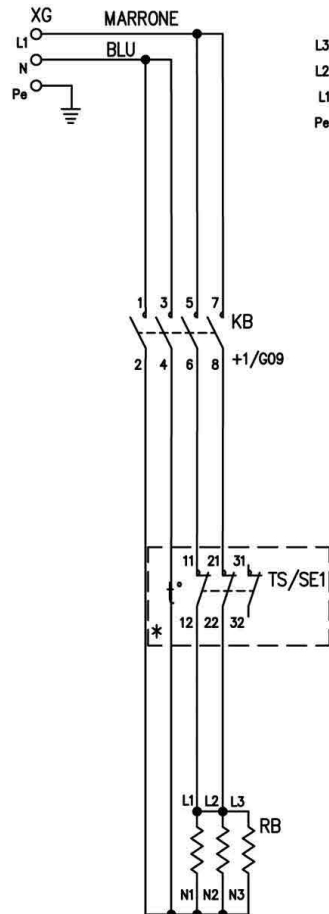
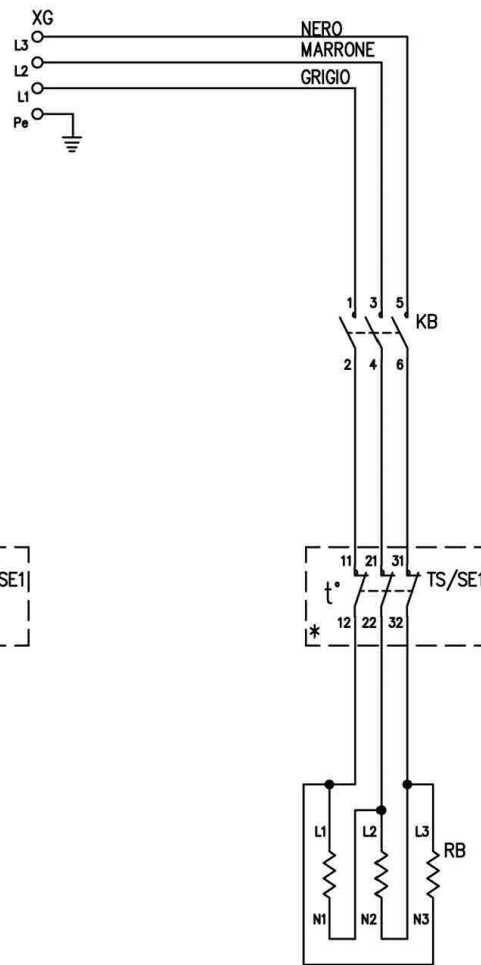


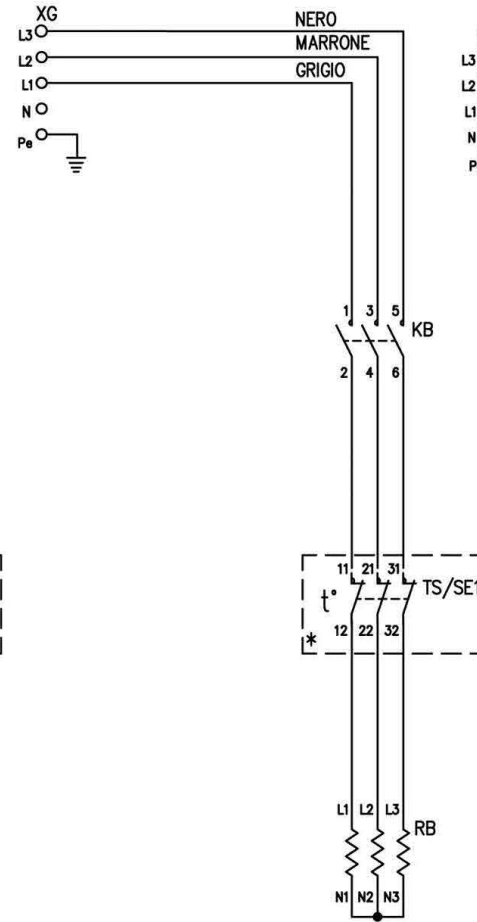
220-240 1P+N 50/60Hz



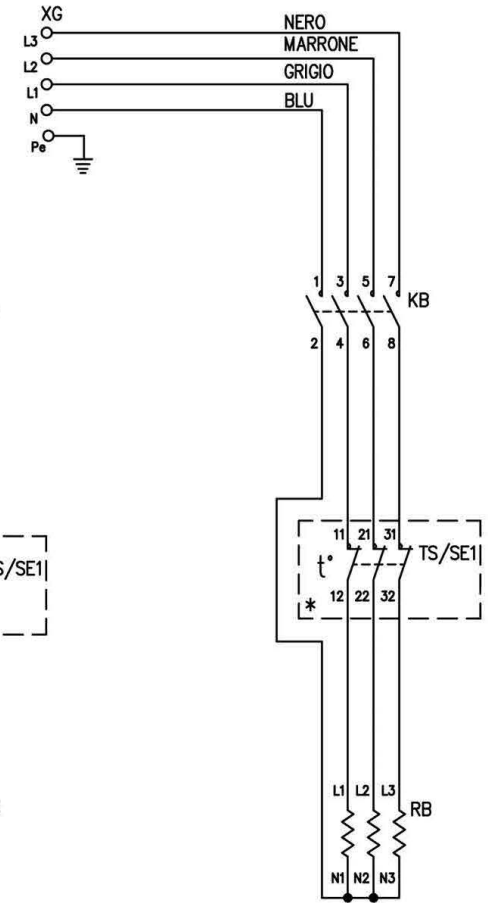
220-240 1P+N 50/60Hz



220-240 3P 50/60Hz

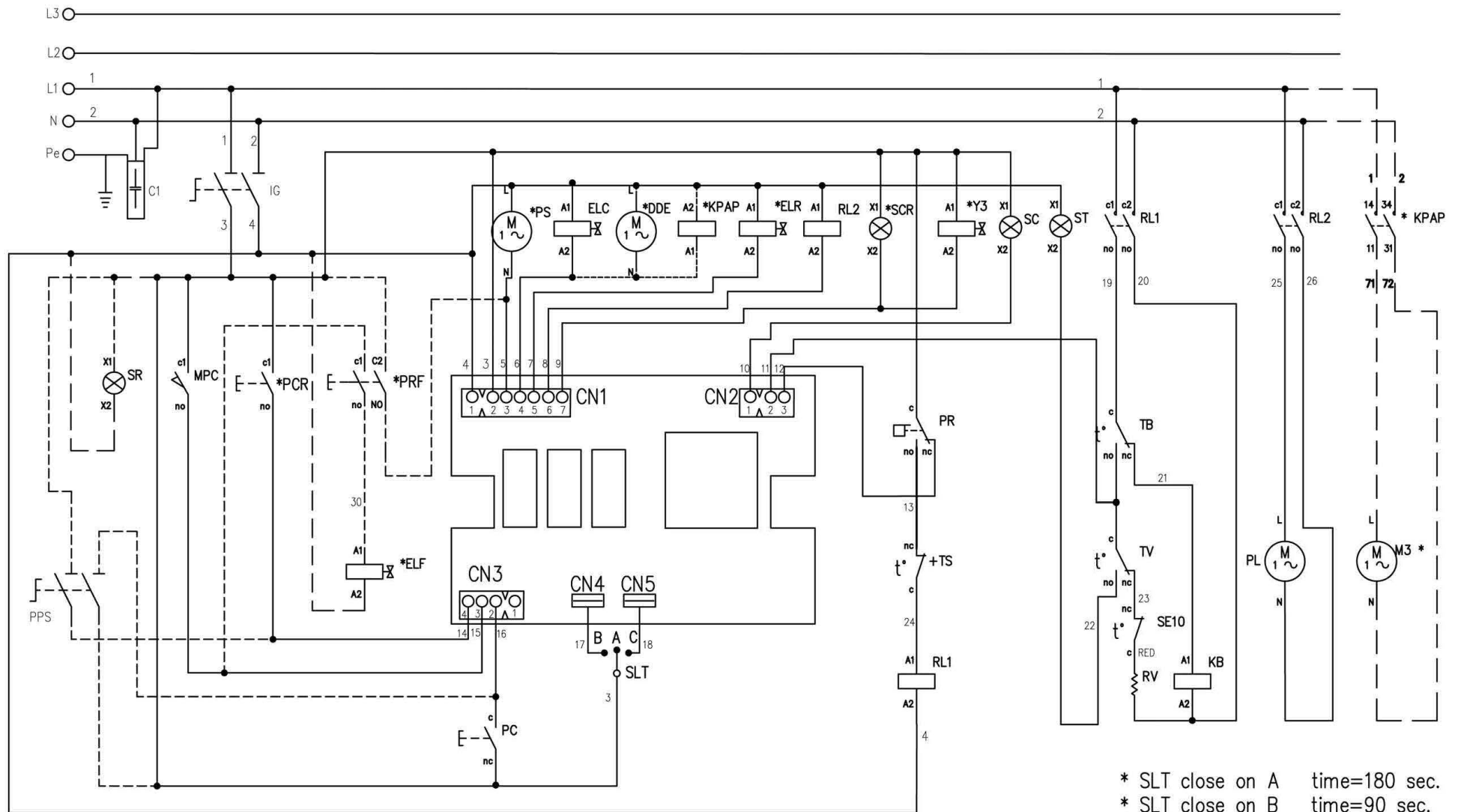


400-415 3P 50/60Hz



400VAC 3P+N 50/60Hz

* optional



- * SLT close on A time=180 sec.
- * SLT close on B time=90 sec.
- * SLT close on C time=120 sec.

NOTE

+ NON INSTALLATO SE PRESENTE IL TERMOSTATO DI SICUREZZA TRIPOLARE TS
 + NOT PRESENT WITH THE 3 POLE SAFETY THERMOSTAT

*OPTIONAL



Spülmaschine US C500
 Artikel-Nr.: 110530, 10531, 110532

Schaltplan
 Datum 11.05.2023

+	C	=	CONDENSATORE	CONDENSER/CAPACITOR	CONDENSATEUR	KONDENSATOR
	PL	=	POMPA LAVAGGIO	WASH PUMP	POMPE LAVAGE	WASCHPUMPE
	DDE	=	DOSATORE DETERSIVO ELETTRICO	ELECTRIC DETERGENT PUMP	DOSEUR ELETRIQUE DETERGENT	DOSIERGERÄT
	PS	=	POMPA SCARICO	DRAIN PUMP	POMPE DE VIDANGE	LAUGENPUMPE
	PAP	=	POMPA AUMENTO PRESSIONE	BOOSTER PUMP	SURPRESSEUR	DRUCKERHOHUNGSPUMPE (ALS ZUBEHÖR)
	ELC	=	ELETTROVALVOLA RISCIAQUO CALDO	RINSE HOT WATER SOLENOID VALVE	ELECTROSOUPAPE RINÇAGE CHAUD	WARMWASSER-MAGNETVENTIL
	ELF	=	ELETTROVALVOLA RISCIAQUO FREDDO	RINSE COLD WATER SOLENOID VALVE	ELECTROSOUPAPE RINÇAGE FROID	KALTWASSER-MAGNETVENTIL
	ELR	=	ELETTROVALVOLA RIGENERAZIONE	REGENERATION SOLENOID VALVE	ELECTROSOUPAPE REGENERATION	REGENERIERUNGSMAGNETVENTIL
	ELCR	=	ELETTROVALVOLA CARICO	LOAD SOLENOID VALVE	ELECTROSOUPAPE CHARGEMENT	ZUFLUSS-MAGNETVENTIL
	ELSC	=	ELETTROVALVOLA SCARICO	DRAIN SOLENOID VALVE	ELECTROSOUPAPE VIDANGE	ENTLEERUNGSMAGNETVENTIL
	ST	=	SPIA TEMPERATURA	TEMPERATURE LIGHT	VOYANT TEMPERATURE	TEMPERATURSLEUCHE
	SC	=	SPIA CICLO	CYCLE LIGHT	VOYANT CYCLE	BETRIEBSLEUCHE
	SPR	=	SPIA RIGENERAZIONE	REGENERATION CYCLE LIGHT	VOYANT REGENERATION	REGENERIERUNGSLEUCHE
	SR	=	SPIA RETE	MAIN SWITCH LIGHT	VOYANT RESEAU ELECTRIQUE	NETZWERKSLEUCHE
	SA	=	SPIA ALLARME	ALARM WARNING LIGHT	VOYANT ALARME	ALARM-ANZEIGER
	SV	=	SPIA VASCA	TANK LEVEL LIGHT	VOYANT NIVEAU CUVE	TANKWASSERNIVEAULAMPE
	RB	=	RESISTENZA BOILER	BOILER HEATING ELEMENT	RESISTANCE SURCHAUFFEUR	BOILERHEIZUNG
	RV	=	RESISTENZA VASCA	TANK HEATING ELEMENT	RESISTANCE CUVE	TANKHEIZUNG
	IG	=	INTERRUTTORE GENERALE	MAIN SWITCH	INTERRUPTEUR GENERAL	HAUPTSCHALTER
	IGD	=	INTERRUTTORE GENERALE STAND BY	STAND BY MAIN SWITCH	INTERUPTEUR GENERAL STAND BY	HAUPTSCHALTER STAND BY
	MPC	=	MICRO PORTA Contatto	DOOR SAFETY SWITCH	MICRO SECURITE PORTE	MIKROTÜRKONTAKT
	MPM	=	MICRO PORTA Magnetico	MAGNETIC DOOR SAFETY SWITCH	MICRO SECURITE PORTE MAGNETIQUE	MAGNETISCHE SICHERHEITSMIKROTÜR
	PPS	=	PULSANTE POMPA SCARICO	DRAIN PUMP SWITCH	BOUTON POMPE DE VIDANGE	ENTLEERUNGSPUMPE-SCHALTER
	PR	=	PRESSOSTATO	PRESSURE SWITCH	PRESSOSTAT	DRUCKWÄCHTER
	PC	=	PULSANTE CICLO	CYCLE SWITCH	BOUTON DEMARREUR	TASTSCHALTER F.PROGRAMMANFLAU
	PCR	=	PULSANTE CICLO RIGENERAZIONE	REGENERATION CYCLE SWITCH	BOUTON DE REGENERATION	REGENERIERUNGSBETRIEBSLEUCHE
	PRF	=	PULSANTE RISCIAQUO FREDDO	RINSE COLD WATER SWITCH	BOUTON DE RINÇAGE FROID	KALTESPUHLUNG SCHALTER
	PCI	=	PULSANTE CICLO INFINITO	UNLIMITED CYCLE PUSH BUTTON	BOUTON CYCLE SANS ARRET	PAUSELOS ZYKLUSKNOPF
	PPG	=	PULSANTE PROGRAMMAZIONE	PROGRAMMATION SWITCH	BOUTON PROGRAMMATION	PROGRAMMSCHALTER
	DEVA/M	=	DEV. AUTOMATICO/MANUALE	AUTOMATIC/MANUAL SWITCH	SELECTEUR AUTOMATIQUE/MANUAL	AUTOMATISCHER/MANUAL WÄHLER
	DEV/C/F	=	DEV. RISCIAQUO CALDO/FREDDO	HOT/COLD RINSING SWITCH	COMM. DE RINÇAGE CHAUD/FROID	UMSCHALTER F.KALT WARMWASSER
	TSP	=	TERMOSTATO SICUREZZA POMPA	PUMP SAFETY THERMOSTAT	THERMOSTAT SECURITE POMPE	SICHERUNGSTHERMOSTAT DER PUMPE
	TV	=	TERMOSTATO VASCA	TANK THERMOSTAT	THERMOSTAT CUVE	TANKTHERMOSTAT
	TB	=	TERMOSTATO BOILER	BOILER THERMOSTAT	THERMOSTAT SURCHAUFFEUR	BOIERTHERMOSTAT
	TS	=	TERMOSTATO SICUREZZA	SAFETY THERMOSTAT	THERMOSTAT DE SECURITE	SICHERHEITSTHERMOSTAT
	MTz	=	TIMER CICLO	CYCLE TIMER	PROGRAMMATEUR DU CYCLE	ZYKLUSTIMER
	MTzR	=	MOTORE TIMER RIGENERAZIONE	REGENERATION CYCLE MOTOR	MOTEUR DU REGENERATION	SINCHRONMOT.F.REGENERIERUNGS TIMER
	MTz(L)	=	MOTORE LENTO (MTz)	SLOW (MTz)	(MTz) LENT	LANGSAMER MOTOR
	MTz(V)	=	MOTORE VELOCE (MTz)	FAST (MTz)	(MTz) RAPIDE	SCHNELLER MOTOR
	MT5	=	CONTATTORE TIMER BOBINA	CONTACTOR TIMER	CONTACTEUR DU PROGRAMMATEUR	NT5 SCHALTERKONTAKT
	KR	=	TELERUTTORE RESISTENZA	HEATING ELEMENT CONTACTOR	TELERUPTEUR RESISTANCE	HEIZUNGFERNSCHALTER-SCHÜTZ
	KPAP	=	TELERUTTORE PAP	BOOSTER PUMP CONTACTOR	TELERUPTEUR SURPRESSEUR	FERNSCHALTER-SCHÜTZ
	KP	=	TELERUTTORE POMPA	PUMP CONTACTOR	TELERUPTEUR POMPE	PUMPEFERNASCHALTER-SCHÜTZ
	KB KB/N	=	TELERUTTORE BOILER	BOILER CONTACTOR	TELERUPTEUR SURCHAUFFEUR	BOILERFERNASCHALTER-SCHÜTZ
	KV	=	TELERUTTORE VASCA	TANK CONTACTOR	TELERUPTEUR CUVE	TANKFERNASCHALTER-SCHÜTZ
	K1	=	TELERUTTORE GENERALE	MAIN CONTACTOR	TELERUPTEUR GENERALE	HAUPTSCHÜTZ
	RLn*	=	RELE*	RELAY	RELAIS	RELAIS
	TPS	=	TIMER POMPA SCARICO	DRAIN PUMP TIMER	PROGRAMMATEUR POMPE DE VIDAGE	LAUGENPUMPE TIMER
	RM	=	RELE* TERMICO	THERMIC RELAY	RELAIS TERMIQUE	THERMISCH RELAIS
	BL	=	BLOCCO PORTA	DOOR LOCK	SERRAGE PORTE	TÜRRSPERRE
	Y3	=	ELETTROVALVOLA SCARICO SALAMOIA	DRAIN REGENERATION SOLENOID VALVE	ELECTROSOUPAPE REGENERATION VIDANGE	ENTLEERUNGSMAGNET ZUFLUSS VENTIL
	Y10	=	ELETTROVALVOLA RIGEN.CAPOTTE	HOOD TYPE REGENERATION SOLENOID VALVE	ELECTROVANNE REGENERAT. MACHINE A CAPOT	MAGNETVENTIL REGENER.HAUBENMASCHINE

