

KST3340 Plus



107275

ENGLISH

Table of contents

1. Safety 22
1.1 Key to symbols 22
1.2 Safety instructions 23
1.3 Proper use 26

2. General information 27
2.1 Liability and Warrantees 27
2.2 Copyright protection 27
2.3 Declaration of conformity 27

3. Transport, packaging and storage..... 28
3.1 Delivery check 28
3.2 Packaging..... 28
3.3 Storage..... 28

4. Technical data 29
4.1 Technical specification 29
4.2 Overview of parts 30

5. Installation and operation..... 34
5.1 Installation 34
5.2 Operation..... 36

6. Cleaning and maintenance 37

7. Waste disposal 40

Bartscher GmbH
Franz-Kleine-Str. 28
33154 Salzkotten
Germany

phone: +49 5258 971-0
fax: +49 5258 971-120
Service-Hotline: +49 5258 971-197
www.bartscher.com



Read this instruction manual before using and keep them available at all times!

This instruction manual contains information about the installation, operation and maintenance of the device and should be consulted as an important source of information and reference guide.

Awareness of the safety instructions and instructions for use in this manual will ensure the safe and correct use of the device.

In addition to the information given here, you should comply with any local Health and safety Controls and generally applicable safety regulations.

The instruction manual forms part of the product and should be kept near the device and easily accessible for anyone carrying out the installation, servicing, maintenance or cleaning.

Please keep these instructions and give them to future owners of the device.

1. Safety

This device is designed in accordance with the presently applicable technological standards. However, the device can pose a danger if handled improperly and inappropriately.

All persons using the device must follow the recommendations and instructions in this instruction manual.

1.1 Key to symbols

In this manual, symbols are used to highlight important safety instructions and any advice relating to the device. The instructions should be followed very carefully to avoid any risk of accident, personal injury or material damage.



WARNING!

This symbol highlights hazards which could lead to injury.



WARNING!

This symbol highlights dangerous situations which could lead to injury or death.



CAUTION!

This symbol highlights dangerous situations which could lead to light injuries, or damage, malfunction, and/or destruction of the device.



NOTE!

This symbol highlights recommendations and information aimed for effective and trouble-free device operation.

1.2 Safety instructions

- The device is not intended for use by individuals (including children) with physical or mental disabilities, insufficient experience, and/or insufficient knowledge unless such persons are under the care of a person responsible for their safety or have received instructions regarding appropriate use of the device.
- Children should be observed to ensure that they are not playing with or starting the device.
- **Never** leave the device unattended when in use.
- Only use the device indoors.
- The device is not adapted for use with an external timer or remote control.
- The device must be operated in correct and safe technical condition only. In case of operational problems disconnect the device from the power supply (pull the plug from the socket) and contact the service company.
- Prevent access of children to the package materials like plastic bags and foamed polystyrene elements. **Suffocation hazard!**

- Only a qualified technician and using original spare parts and accessories should carry out repairs and maintenance of the device. **Do not attempt to repair the device yourself.**
- Do not use any accessory or spare parts that have not been recommended by the manufacturer. These can be dangerous for the user or lead to damages of the device or personal injury, and further, the warranty expires.
- To prevent hazards and to ensure optimum efficiency, no modifications or alterations to the device that are not explicitly approved by the manufacturer may be undertaken.



DANGER! Electric shock hazard!

To avoid the hazard results please follow the safety instructions below.

- Never allow the power cable to come into contact with heat sources or sharp edges. The power cable should not hang over the side of the working surface. Ensure that no one can step on or trip over the cable.
- The power cable must not be folded, bent or tangled, and must always remain fully unrolled. Never place the device or other objects on the power cable.
- Do not lay the power cable over carpets or other inflammable materials. Do not cover the cable. Keep away the cable from operating range and do not immerse it into water.

- Check the power cord regularly for damage. Do not use the appliance if the power cord is damaged. If this cable is damaged, it must be replaced by customer service or a qualified electrician in order to avoid dangers.
- The supply cable must be disconnected from the socket only by pulling the plug.
- Never carry or lift the device by the supply cable.
- In any case do not open the device housing. In case of electrical or mechanical modifications the **electric shock hazard** will occur.
- Never wash the device under a stream of water.
- Do not use any acid agents and make sure no water ingresses the device.
- **Never** operate the device with moist hands or standing on wet floor.
- Disconnect the device from the power supply:
 - when the device is not used,
 - in case of anomalies during operation,
 - before cleaning.

1.3 Proper use



CAUTION!

The device has been designed and built for commercial use and should be operated only by qualified personnel in kitchen facilities.

The operational safety of the device is assured only in case of proper use, according to the operation manual.

All technical activities like installation and maintenance must be performed by the qualified service personnel only.

The cooking station allows simultaneous use of several devices.



CAUTION!

Any use going beyond the intended purpose and/or any different use of the device is forbidden and is not considered as conventional.

Any claims against the manufacturer or his authorized representative as a consequence of experiencing damages resulting from unconventional use are impossible.

The operator is liable for all damages resulting from inappropriate use.

2. General information

2.1 Liability and Warrantees

All the information and instructions in this manual take into account standard safety regulations, current levels of technical engineering as well as the expertise and experience we have developed over the years.

The instruction manual was translated with all due care and attention. However, we do not accept liability for any translation errors. The German version of this instruction manual is definitive.

If the delivery consists of a special model, the actual scope of delivery may differ from the descriptions and illustrations in this manual. This is also the case for special orders or when the device has been modified in line with new technology.



CAUTION!

Read this manual carefully and thoroughly before any operation of the device, and especially before turning it on!

Manufacturer **is not liable** for any damages or faults caused by:

- violation of advice concerning operation and cleaning;
- use other than designed;
- alterations made by user;
- use of inadequate spare parts.

We reserve the right to make technical changes for purposes of developing and improving the useful properties.

2.2 Copyright protection

The instruction manual including any texts, drawings, images or other illustrations is copyright. No part of this publication may be reproduced, transmitted or used in any form or by any means without permission in writing from the manufacturer. Any person who commits any unauthorized act in relation to this publication shall be liable to claims for damages. All rights reserved.



NOTE!

The contents, texts, drawings, pictures and any other illustrations are copyright and subject to other protection rights. Any person unlawfully using this publication is liable to criminal prosecution.

2.3 Declaration of conformity



The device complies with the current standards and directives of the EU. We certify this in the EC declaration of conformity. If required we will be glad to send you the according declaration of conformity.

3. Transport, packaging and storage

3.1 Delivery check

Please check the delivery upon completeness and transport damage immediately after receipt. In case of visible damage do not accept or accept the delivery with reservation only.

Note the extent of damage on the carrier's bill of delivery. Trigger off the complaint.

Hidden damages should be reclaimed immediately after notice, as claims for damages can only be asserted within the effective period for complaints.

3.2 Packaging

Please do not throw away the covering carton of your device as it might be useful for storage purposes, when moving or, in case of damages, when the device must be sent back to a repair center. The outer and inner packing material should be removed completely from the device before installation.



If you liked to dispose the packing, consider the regulations applicable in your country. Supply re-usable packing materials to the recycling.

Please inspect the device upon completeness. In case any part is missing please contact our customer service center immediately.

3.3 Storage

Keep the package closed until installation and under consideration of the outside indicated positioning- and storage markings.

Packages should be stored under consideration of the following:

- do not store outdoors.
- keep it dry and dust-free.
- do not expose it to aggressive media.
- do not expose it to direct sunlight.
- avoid mechanical shocks and vibration.
- in case of longer storage (> 3 months) make sure you check the state of the packaging and the parts regularly, if required refresh or renew.

4. Technical data

4.1 Technical specification

Name	Cooking station KST3340
Code-No.:	107275
Material:	Chrome-nickel 18/10, glass top as sneeze and splash guard
Design:	<ul style="list-style-type: none"> ▪ 1 placement niche for setting devices <ul style="list-style-type: none"> - Set-up area: W 1208 x D 600 mm - Designed for the max. 3 table top devices - 5 sockets: 3 x 230 V 16A, 2 x 400 V 32A CEE ▪ Shelf below the placement niche for setting devices, W 1200 x D 600 x H 150 mm ▪ 4 GN containers 1/9 GN, 100 mm deep for oils, sauces or kitchen utensils ▪ Integrated ventilation system with stainless steel labyrinth filter (3x), 4-level adjustment ▪ Zeolite filter (3x) ▪ Carbon filter (1x) ▪ LED lighting with ON/OFF switch ▪ 4 swivel wheels, 2 wheels with brakes
Power:	34 kW / 400 V 50 Hz 3 NAC
Dimensions:	W 1520 x D 770 x H 1265 mm
Weight:	144 kg

We reserve the right to make technical changes!

4.2 Overview of parts

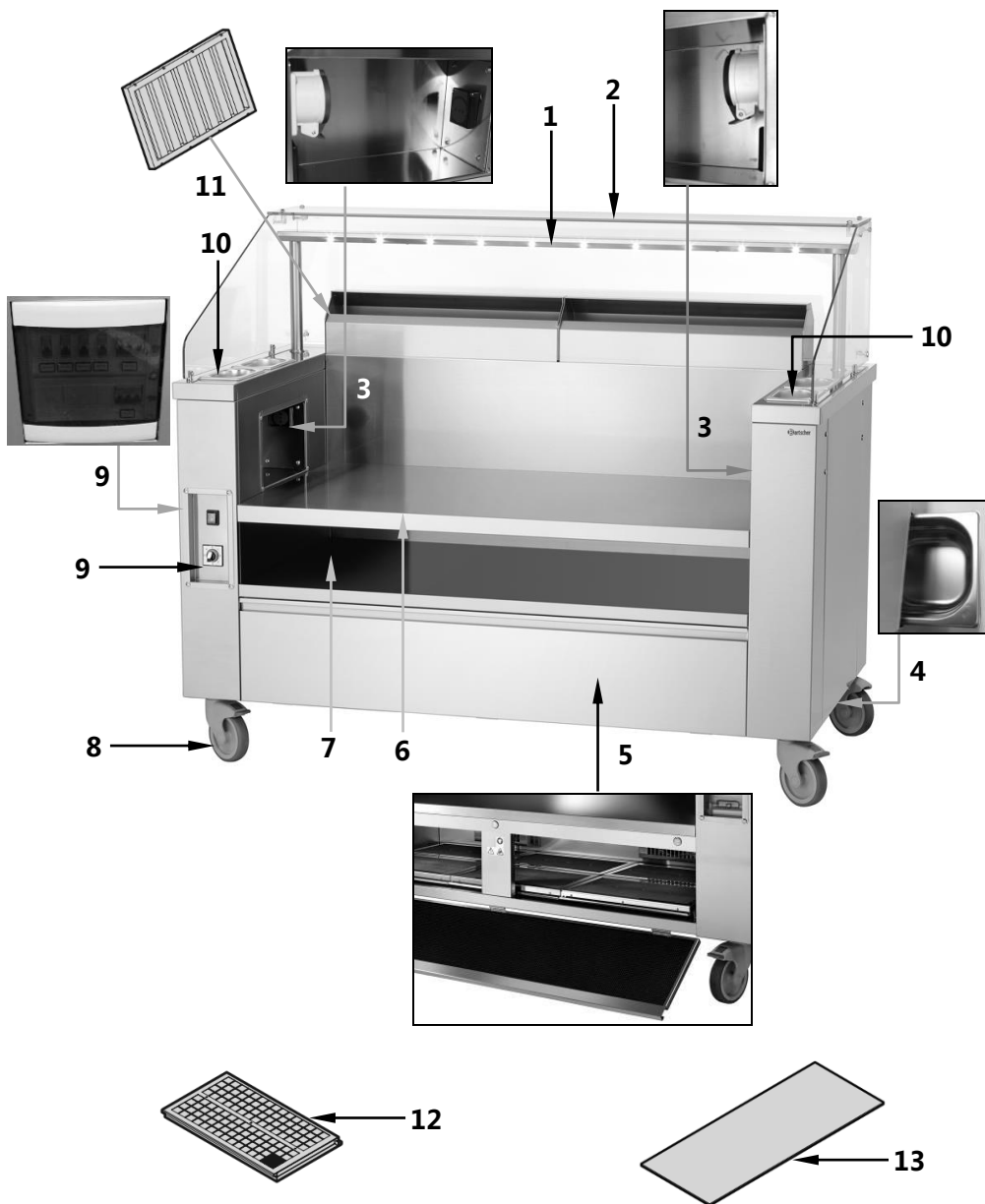
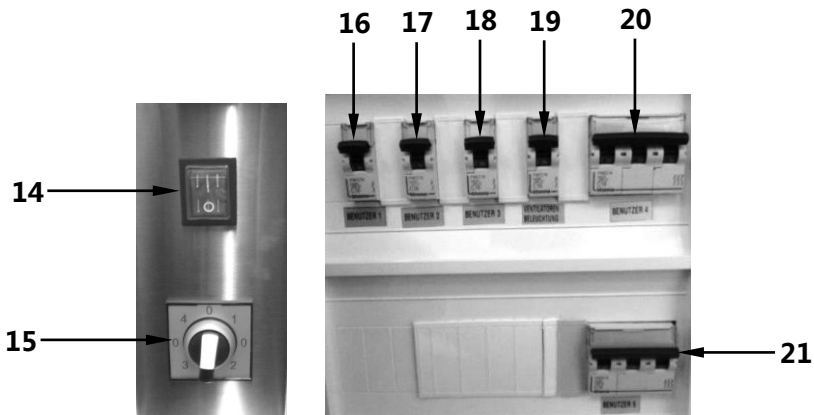


Fig. 1

Description of Fig. 1, page 30

- | | |
|--|---|
| 1 LED lighting bar | 7 Shelf |
| 2 Glass top | 8 Swivel wheels (4x) |
| 3 Socket outlets for devices, left and right side | 9 Control panel |
| 4 Oil drip tray | 10 Niches for containers GN (4x) |
| 5 Filter cover | 11 Labyrinth filter (3x) |
| 6 Placement niche for setting devices | 12 Zeolite filter (3x) |
| | 13 Carbon filter (1x) |

Control elements / assignment of fuses → socket outlets**Fig. 2****Fig. 3**

- 14** Lighting switch
- 15** Fan motor switch
- 16** User 1 / CEE socket on the left side: 5-pole, 400 V 16A
- 17** User 2 / CEE socket on the right side: 5-pole, 400 V 16A
- 18** User 3 / socket outlet with safety contact at the front on the right side: 230 V 16A
- 19** Fan + lighting fuse
- 20** User 4 / socket outlet with safety contact at the front on the left side: 230 V 16A
- 21** User 5 / socket outlet with safety contact at the rear on the left side: : 230 V 16A

Accessories (not included in the delivery!)



Pedestal 100 KST3340 Plus

For a comfortable cooking at the same height with different devices in the cooking station KST3340 Plus.

Chrome-nickel steel 18/10

Size: W 400 x D 595 x H 100 mm

Weight: 2.44 kg

Code-No. 107276



Pedestal 200 KST3340 Plus

For a comfortable cooking at the same height with different devices in the cooking station KST3340 Plus.

Chrome-nickel steel 18/10

Size: W 400 x D. 595 x H. 200 mm

Weight: 3.7 kg

Code-No. 107277

Carbon filter KST3340 Plus

Material: active carbon

Size: W 1130 x D 445 x H 10 mm

Weight: 0.21 kg

Code-No. 107273

Zeolite filter KST3340 Plus

Material: zeolite

Size: W 460 x D 377 x H 20 mm

Weight: 3.74 kg

Code-No. 107274

The following Bartscher devices can be used with the cooking station:

Without pedestal – 2 devices

- Electric cooker, 4 plates – series 600 Imbiss, code-no. 131734
- Ceramic glass cooker, 4 fields – series 600 Imbiss, code-no. 131850
- Griddle electric plate, smooth, width 600 mm – series 600 Imbiss, code-no. 132125
- Bain marie, 1 x 1/1 GN + 2 x 1/4 GN – series 600 Imbiss, code-no. 131770

Without pedestal – 3 devices

- Electric cooker, 2 plates – series 600 Imbiss, code-no. 131722
- Ceramic glass cooker, 2 fields – series 600 Imbiss, code-no. 131800
- Griddle electric plate, smooth, width 400 mm – series 600 Imbiss, code-no. 132115
- Bain marie, 3 x 1/4 GN – series 600 Imbiss, code-no. 131760
- Griddle plate GDP 320E, smooth, code-no. A370031
- Griddle plate GDP 320E, grooved, code-no. 370035
- Multi-fryer 300, code-no. 370205

With pedestal 100 KST3340 Plus – 3 devices

- Table top induction wok IW 35 PRO, code-no. 105832
- Table top induction wok, code-no. 105840
- Table top induction wok, code-no. A105935
- Table top induction wok, code-no. A105936

With pedestal 200 KST3340 Plus – 3 devices

- Cerane electric cooker, code-no. 104904
- Cerane electric cooker, code-no. 104906
- Induction cooker IK 30TC, code-no. 105932
- Induction cooker IK 30TCS, code-no. 105932S
- Induction cooker IK 35TC, code-no. 105843
- Induction cooker IK 35TCS, code-no. 105843S
- Induction cooker IK 35SK, code-no. 105837
- Table top induction stove, code-no. A105942
- Table top induction stove, code-no. 105984
- Table top induction stove, code-no. A105946
- Table top induction stove, code-no. A105948
- Table top induction wok IW 35, code-no. 105983

5. Installation and operation

5.1 Installation



CAUTION!

Installation and connection of the device may be performed only by the qualified specialists while observing international, national and local regulations.

Before the installation or maintenance, disconnect the device from the power supply.

Unpacking of the device / installation of the glass top

- Unpack the device and its accessories and remove and dispose of all the packaging material according to environmental regulations.
- During the installation and placing of the device, people who are not involved in the installation cannot stay within or enter the working area.
- Fix the glass top on the housing of the cooking station according to the following instructions:
 - insert glass elements located on the left and right side, as well as at the rear into glass holders on the housing of the cooking station;
 - connect the glass elements together using the attached angle fittings, hexagon socket head cap screws, rubber rings and locking screws;
 - next, place the upper glass element on the glass elements located on the left and right side as well as at the rear, and screw them into angle fittings on the left and right side as well as at the rear;
 - finally, make sure that all glass elements are tightly fitted.
- If necessary, install a spacer at the rear of the placement niche or remove it if it is not necessary. Loosen the spacer's mounting screws to utilize the full depth and height of the placement niche.
- Remove the protection film from the device. Make sure it has been removed completely from the device. Remove possible glue residues with appropriate agents.



CAUTION!

Never remove the type plate and warning signs from the device.

The type plate includes important technical data: they are very important when sending inquiries regarding maintenance or repair of the device.

Make sure the type plate is not removed, damaged or replaced.

Setting of the device

- Before the first use, clean the cooking station following the instructions included in **Section 6 „Cleaning and maintenance”**
- Using appropriate means of transportation, place the cooking station in its desired working position.
- Place the device on the flat, stable, dry and water-resistant surface which is resistant to high temperature.
- **Never** place the device on a flammable surface.
- **Never** place the device in a moist or wet environment.
- The place of installation of the device must be easily accessible and spacious to allow comfortable operation of the devices and good air circulation.
- Never cover ventilation holes of the device.
- During the operation of the device, the working area should be well ventilated.
- **Never** place the device directly next to walls, furniture or other objects made of inflammable material. Leave the minimum distance of 10 cm between the device and the side and rear walls or other objects. Applicable fire protection regulations should be followed.
- If it is impossible to keep the recommended distance, use appropriate safety measures (e.g. foil made of material resistant to high temperature), which will allow for maintaining wall temperature within the safe range (up to 60°C).

Connection



DANGER! Electric shock hazard!

The device can cause injuries due to improper installation! Before installation and connecting the local power grid specification should be compared with that of the device (see rating plate). Connect the device only in case of compliance!

- Connect the device to the electrical installation while following international, national and local regulations.
- Cross-section of the connection cable and the manner of securing the cooking station at the place of installation is determined by the qualified electricians. The above mentioned features depend on the power of the used devices and the length of the connection cable.

- **The cooking station should be always protected > 32A using RCD 30mA.** Maximum connected load of the cooking station is 52A.
- The exception to this rule is the use of socket outlets with safety contact. In such a case 32A protections, using RCD 30mA, are sufficient. However, in such a case an electrician needs to disconnect the CEE socket outlet in the fuse box.
- If, however, the CEE socket outlet is used in such circumstances, overload will trigger the initial fusing.
- If CEE socket outlets are used, sockets with safety contact cannot be used at the same time. In such a case it is again necessary to reduce the connected load of the cooking station.
- Protection embedded in the cooking station prevents overloading of individual socket outlets of the device.

5.2 Operation



Fig. 4

- Cooking Station **KST3340** may be used as a mobile kitchen or for presentation purposes, and it can be equipped with a maximum of 3 table top devices.
- The left and right frame includes two holders for containers 1/9 GN, 100 mm deep, for oils, sauces or kitchen utensils.
- Sockets enabling connection of more devices are located on both sides of the device.
- The cooking station is equipped with the ventilation with integrated filtering system which ensures sucking off steam generated during the operation of the connected devices.
- Selected table top devices may be put into placement niches; options for combining devices are presented on **page 33**.

- Connect the installed devices to appropriate socket outlets. Assignment and connected load of socket outlets are provided in the table on **page 31**.
- Install an oil drip tray in the device located under the right side of the cooking station.
- If necessary, connect the LED lighting using the switch **14** (fig. 2, p. 31) on the device's control panel.
- Activate the device's fan using the switch **15** (fig. 2, p. 31).
- The following table presents available speeds of the fan, which can be adjusted as necessary

Level	Exhaust air output	When it should be used...
1	850 m ³ /h	Use only after cooking. The device may cool down without releasing odors and smoke.
2	1160 m ³ /h	Use during cooking.
3	1330 m ³ /h	Adjust the fan speed to the intensity of vapors release during the operation of devices.
4	1470 m ³ /h	

- If the cooking station is no longer used, pull the plugs of installed devices from the socket outlets and disconnect the cooking station from the power supply. The devices should fully cool down before cleaning or moving them to another place.

6. Cleaning and maintenance



WARNING!

Before cleaning and maintenance, pull the plugs of devices from socket outlets and disconnect the cooking station from the power supply!

Never clean the device under a stream of water.

Make sure, no water gets inside the device.



CAUTION!

If deep fat fryers or other devices generating strong odors are used, filters should be cleaned and replaced more frequently.

- Clean the used table top devices while following instructions in their operating manuals.
- Regularly clean the cooking stations and its accessories.
- Observe the instructions presented on the figures below.



Fig. 5

- Use soft cloth only and **never** use any abrasive or corrosive cleaning agents which may damage the surface of the device and its accessories.
- After cleaning, dry and polish the surfaces with a soft, dry cloth.
- After drying, reinstall all the parts in the device.

Daily cleaning

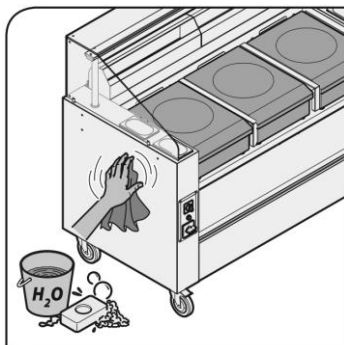


Fig. 6

Cleaning of the labyrinth filter

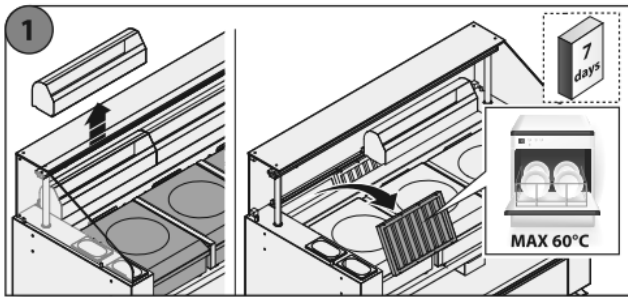


Fig. 7

Cleaning of the zeolite filters

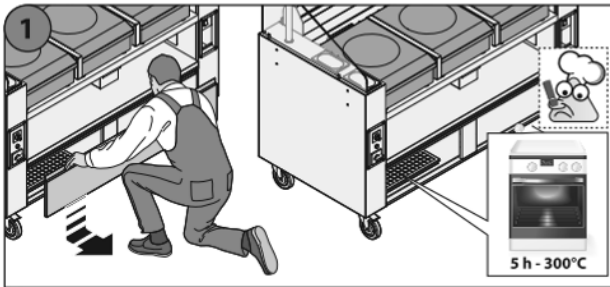


Fig. 8

Replacement of the carbon filter

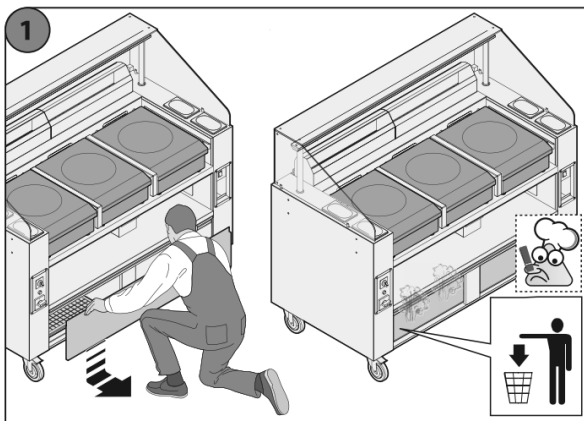


Fig. 9

7. Waste disposal

Discarding old devices

At the end of its service life the discarded device has to be disposed in accordance with the national regulations. It is advisable to contact a company which is specialized in waste disposal, or just contact the local disposal service in your community.



WARNING!

To exclude any abuse and the dangers involved make the waste device unfit for use before disposal. For that purpose disconnect device from mains supply and remove mains connection cable from the device.



CAUTION!



For the disposal of the device please consider and act according to the national and local rules and regulations.