



**104919 / GP2511GN**

**ENGLISH**  
**Translation**  
**of the original instruction manual**

**Table of contents**

**1. Safety ..... 18**  
    1.1 Safety instructions ..... 18  
    1.2 Key to symbols ..... 20  
    1.3 Hazard sources ..... 20  
    1.4 Proper use ..... 22

**2. General information ..... 23**  
    2.1 Liability and Warrantees ..... 23  
    2.2 Copyright protection ..... 23  
    2.3 Declaration of conformity ..... 23

**3. Transport, packaging and storage ..... 24**  
    3.1 Delivery check ..... 24  
    3.2 Packaging ..... 24  
    3.3 Storage ..... 24

**4. Technical data ..... 25**  
    4.1 Overview of parts ..... 25  
    4.2 Technical specification ..... 26

**5. Installation and operation ..... 27**  
    5.1 Installation ..... 27  
    5.2 Operation ..... 28

**6. Cleaning ..... 31**

**7. Waste disposal ..... 32**

Bartscher GmbH  
Franz-Kleine-Str. 28  
D-33154 Salzkotten  
Germany

phone: +49 (0) 5258 971-0  
fax: +49 (0) 5258 971-120



**Read this instruction manual before using and keep them available at all times!**

This instruction manual contains information about the installation, operation and maintenance of the device and should be consulted as an important source of information and reference guide.

Awareness of the safety instructions and instructions for use in this manual will ensure the safe and correct use of the device.

In addition to the information given here, you should comply with any local Health and safety Controls and generally applicable safety regulations.

The instruction manual forms part of the product and should be kept near the device and easily accessible for anyone carrying out the installation, servicing, maintenance or cleaning.

Please keep these instructions and give them to future owners of the device.

## 1. Safety

This device is designed in accordance with the presently applicable technological standards. However, the device can pose a danger if handled improperly and inappropriately.

All persons using the device must follow the recommendations and instructions in this instruction manual.

### 1.1 Safety instructions

- This device may only be operated in technically proper and safe condition.
- The device can be used by children **8 years and up**, as well as by people with disabilities and those with limited experience/knowledge as long as they are under supervision or have been instructed on proper use of the device and its possible dangers.
- **Children** should not play with the device.
- Cleaning and **maintenance cannot be performed by children** younger than 8 years old and must be done under supervision.
- **Children under the age of 8 years old** must be kept away from the device and its power cord.

- Only a qualified technician and using original spare parts and accessories should carry out repairs and maintenance of the device.  
**Do not attempt to repair the device yourself.**
- Do not use any accessory or spare parts that have not been recommended by the manufacturer. These can be dangerous for the user or lead to damages of the device or personal injury, and further, the warranty expires.
- To prevent hazards and to ensure optimum efficiency, no modifications or alterations to the device that are not explicitly approved by the manufacturer may be undertaken.
- Never allow the power cable to come into contact with heat sources or sharp edges. The power cable should not hang over the side of the working surface. Ensure that no one can step on or trip over the cable.
- The power cable must not be folded, bent or tangled, and must always remain fully unrolled.
- Never place the device or other objects on the power cable.
- Do not lay the cable over carpets or heat insulations. Do not cover the cable. Keep away the cable from operating range and do not dunk it into water.
- Inspect the power cable regularly for damage. Never use the device if the cable is damaged. If the power cable is damaged, have an authorised service center or qualified electrician replace it.
- The device is not adapted for use with an external timer or remote control.
- During operation **never** move the device with the grilled products and GN containers.
- **Never** leave the device unattended when in use.
- Only use the device indoors.

## 1.2 Key to symbols

In this manual, symbols are used to highlight important safety instructions and any advice relating to the device. The instructions should be followed very carefully to avoid any risk of accident, personal injury or material damage.



**WARNING!**

*This symbol highlights hazards which could lead to injury.*



**WARNING!**

*This symbol highlights dangerous situations which could lead to injury or death.*



**HOT SURFACE!**

*This symbol is a warning that the device surface is hot when in use. Ignoring this warning may result in burns!*



**CAUTION!**

*This symbol highlights dangerous situations which could lead to light injuries, or damage, malfunction, and/or destruction of the device.*



**NOTE!**

*This symbol highlights recommendations and information aimed for effective and trouble-free device operation.*

## 1.3 Hazard sources



**DANGER!**

**Electric shock hazard!**

To avoid the hazard results please follow the safety instructions below.

- Do not use the machine in case of incorrect operation, damages or dropping on the floor.
- The supply cable must be disconnected from the socket only by pulling the plug.

- Never carry or lift the device by the supply cable. Always use the device handles.
- In any case do not open the device housing. In case of electrical or mechanical modifications the electric shock hazard will occur.
- Never immerse the plug in water or other liquids.
- Do not use any acid agents and make sure no water ingresses the device.
- Never operate the device with moist hands or standing on wet floor.
- Remove the plug from its socket:
  - when the device is not used,
  - in case of anomalies during operation,
  - before cleaning.



### **DANGER!**

#### **Suffocation hazard!**

- Prevent access of children to the package materials like plastic bags and foamed polystyrene elements.



### **HOT SURFACE!**

#### **Burn hazard!**

To avoid the hazard results please follow the safety instructions below.

- The housing of the device and the grill surface become very hot during the operation. Do not touch them with bare hands. Use appropriate kitchen utensils for placing and removing food.
- The grill surface remains hot for some time after turning off, so before cleaning or moving the device wait until it cools down.



### **WARNING!**

#### **Fire or explosion hazard!**

To avoid the hazard results please follow the safety instructions below.

- To avoid the fire hazard and the damages of the device **never** place the kitchen utensils, towels, paper, etc. on the grill surface.

- **Never** use the device near flammable materials, such as alcohol, spirits, or petrol. High temperature may cause their evaporation and due to contact with the ignition sources the deflagration may occur, and in result the injuries and damages.
- In case of fire before the fire extinguishing activities remove the plug from the socket or disconnect the device from the power supply (pull the plug!).  
**Caution:** Do not spray the device with water when it is still connected to the power supply: **Electric shock hazard!**

## 1.4 Proper use

The operational safety of the device is assured only in case of proper use, according to the operation manual.

All technical activities like installation and maintenance must be performed by the qualified service personnel only.

**The device is not designed for continuous operation in the industrial applications.**

The device is intended for home use or in similar places such as:

- in kitchens for store or office employees or in similar business areas;
- in agricultural farms;
- by guests of hotels, motels and other typical places of accomodation;
- in Bed and Breakfast facilities.

**The ceramic grill plate** is intended only for **grilling meat, fish and vegetables** directly on the grilling surface or in appropriate GN containers.



### **CAUTION!**

**Any use going beyond the intended purpose and/or any different use of the device is forbidden and is not considered as conventional.**

**Any claims against the manufacturer or his authorized representative as a consequence of experiencing damages resulting from unconventional use are impossible.**

**The operator is liable for all damages resulting from inappropriate use.**

## 2. General information

### 2.1 Liability and Warrantees

All the information and instructions in this manual take into account standard safety regulations, current levels of technical engineering as well as the expertise and experience we have developed over the years.

The instruction manual was translated with all due care and attention. However, we do not accept liability for any translation errors. The German version of this instruction manual is definitive.

If the delivery consists of a special model, the actual scope of delivery may differ from the descriptions and illustrations in this manual. This is also the case for special orders or when the device has been modified in line with new technology.



#### **CAUTION!**

**Read this manual carefully and thoroughly before any operation of the device, and especially before turning it on!**

Manufacturer **is not liable** for any damages or faults caused by:

- violation of advice concerning operation and cleaning;
- use other than designed;
- alterations made by user;
- use of inadequate spare parts.

We reserve the right to make technical changes for purposes of developing and improving the useful properties.

### 2.2 Copyright protection

The instruction manual including any texts, drawings, images or other illustrations is copyright. No part of this publication may be reproduced, transmitted or used in any form or by any means without permission in writing from the manufacturer. Any person who commits any unauthorized act in relation to this publication shall be liable to claims for damages. All rights reserved.



#### **NOTE!**

**The contents, texts, drawings, pictures and any other illustrations are copyright and subject to other protection rights. Any person unlawfully using this publication is liable to criminal prosecution.**

### 2.3 Declaration of conformity



The device complies with the current standards and directives of the EU. We certify this in the EC declaration of conformity. If required we will be glad to send you the according declaration of conformity.



## 3. Transport, packaging and storage

### 3.1 Delivery check

Please check the delivery upon completeness and transport damage immediately after receipt. In case of visible damage do not accept or accept the delivery with reservation only.

Note the extent of damage on the carrier's bill of delivery. Trigger off the complaint.

Hidden damages should be reclaimed immediately after notice, as claims for damages can only be asserted within the effective period for complaints.

### 3.2 Packaging

Please do not throw away the covering carton of your device as it might be useful for storage purposes, when moving or, in case of damages, when the device must be sent back to a repair center. The outer and inner packing material should be removed completely from the device before installation.



#### NOTE!

**If you liked to dispose the packing, consider the regulations applicable in your country. Supply re-usable packing materials to the recycling.**

Please inspect the device upon completeness. In case any part is missing please contact our customer service center immediately.

### 3.3 Storage

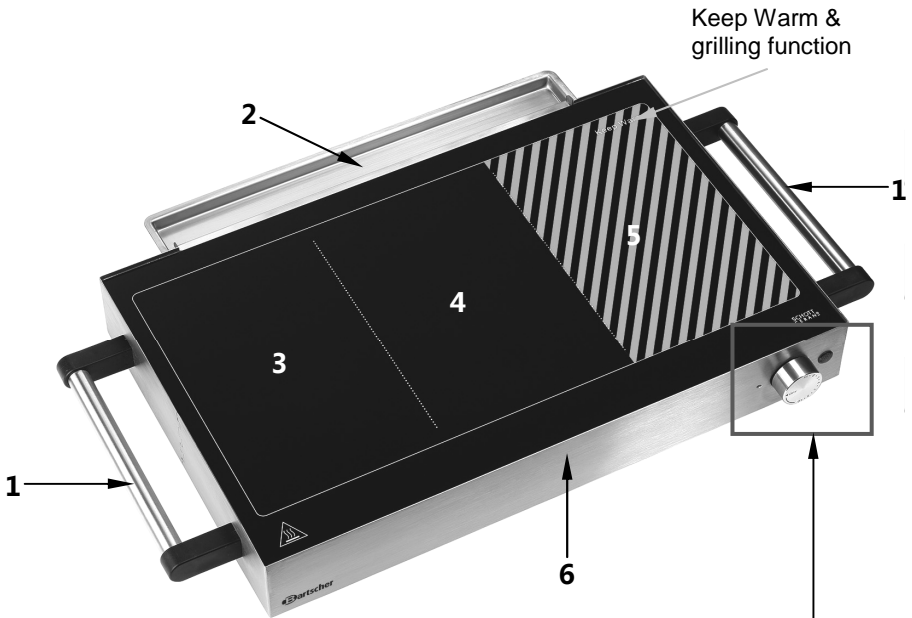
Keep the package closed until installation and under consideration of the outside indicated positioning- and storage markings.

Packages should be stored under consideration of the following:

- Do not store outdoors.
- Keep it dry and dust-free.
- Do not expose it to aggressive media.
- Do not expose it to direct sunlight.
- Avoid mechanical shocks and vibration.
- In case of longer storage (> 3 months) make sure you check the state of the packaging and the parts regularly.  
If required refresh or renew.

## 4. Technical data

### 4.1 Overview of parts



- 1 Side handles
- 2 Dip tray
- 3 Left grilling surface
- 4 Middle grilling surface
- 5 Right grilling surface / food warming surface
- 6 Body
- 7 Function switch
- 8 Heating control light (red)
- 9 Temperature control knob
- 10 Setting indicator („OFF” position)
- 11 Feet (4)



## 4.2 Technical specification

<b>Name</b>	<b>Ceramic grill plate GP2511GN</b>
Code-No.	<b>104919</b>
Material:	Stainless steel body
Grilling surface material:	Schott Ceran glass
Power:	2.5 kW / 220-240 V~ 50/60 Hz
Temperature adjustment:	Infinitely variable by temperature control knob operation
Temperature range:	Grilling: from 80 °C to max. 300 °C Food warming at 100 °C
Dimensions:	W 600 x D 414 x H 86 mm
Cooking surface:	W 500 x D 260 mm
Weight:	7.95 kg

We reserve the right to make technical changes!

### Electronic overheating protection

Ceramic grill plates are equipped with the **electronic overheating protection**, which automatically switches off the device in case of its overheating.

If this happens, disconnect the device from the power supply (pull the plug!) and leave the device to cool off. Then, you may start using the device again.

---

## 5. Installation and operation

### 5.1 Installation

#### Positioning

- Unpack the device and remove all packing material.



#### **CAUTION!**

- **Never** remove the rating plate and any warning signs from the device.
- Place the device on top of an even, stable, dry, and water-resistant surface which supports the weight of the device and is not heat sensitive.
- The surface on which the device is placed must be easily accessible and sufficiently large. To enable easy operation of the device and ensure proper air circulation, leave the space of at least 10 cm at the back and on the sides of the device and at least 50 cm from the top and in front of it.
- **Never** place the device in humid or wet environment.
- **Never** place the device on the flammable surfaces.
- Place the device so that the plug is easily accessible and can be quickly removed from its socket in case of necessity.

#### Connection



#### **DANGER! Electric shock hazard!**

**The device can cause injuries due to improper installation!**

**Before installation and connecting the local power grid specification should be compared with that of the device (see rating plate). Connect the device only in case of compliance!**

**Connect the device only to properly installed single socket with protective terminal.**

- The electrical circuit in the socket must be secured to at least 16A. Only connect the device directly to the wall socket; do not use any extension cords or power strips.

## 5.2 Operation

### Before the first use

- Before the first use, clean the device according to the instructions included in section 6 "Cleaning".
- Attach the drip tray at the back of the device.
- Connect the device to a single grounded outlet.
- Turn the device on with the **function switch** („I“ position) and heat it at the highest temperature setting "**HI**" for ca. 5 minutes **without any food**. Take into account the instructions regarding settings included in subsequent sections of this operating manual.
- During the first use, some smoke may appear, which is not dangerous and will not occur during future use.
- Turn the device off by turning the temperature control knob to "**OFF**" position and switching the function switch to „0" position. Allow it to cool down.

### Function and temperature setting

- ❖ **Function switch** is located on the right side of the device, next to the side handle.



Possible settings of the function switch are as follows:

- In „0“ position the device has no power supply.
- In „I“ position all 3 grilling or food warming surfaces can be used simultaneously.

**Please remember that after switching from the grilling function to the food warming function, reduction of the grilling surface's temperature takes some time.**

- In „II“ position, **the middle** and **left** surface can be used for grilling, whereas the **right** one can be used for food warming.

- ❖ Temperature is adjusted via the **temperature control knob** located on the front panel of the device. The following temperature settings are available:



**OFF** - OFF position

**LO** - setting for low temperature ca. 80 °C

**2 • 3 • 4 • 5 • 6** - adjustment levels

**HI** - setting for high temperature ca. 300 °C

- In „I“ position of the function switch, set the temperature control knob to the desired temperature in the range from 80 °C to 300 °C in order to grill foods or in „LO“ position in order to maintain the temperature of the grilled food.
- In „II“ position of the function switch, the temperature of the **right** surface for grilling/food warming is 100 °C, irrespective of the temperature control knob's setting.
- The temperature of the **middle** and **left** grilling surface can be adjusted by turning the temperature control knob clockwise from „OFF“ position to the required position between „LO“ (ca. 80 °C) and „HI“ (ca. 300 °C).
- During the preheating phase the red heating control light, located next to the temperature control knob, is lit (when the function switch is in „I“ or „II“ position).
- When the device reaches the set temperature, the heating control light goes off and turns on again during the next reheating phase.

## Instructions for the preparation of food

- **Ceramic grill plate** is designed for preparation of food directly on the grilling surface with a very low amount of fat. It is a healthy way of preparation of meat, fish and vegetables. It also saves time and energy, and eliminates the need to wash cookware.
- Before placing any food products on the grilling surface, apply some oil to its surface. Use oil with a high level of heat resistance, such as rapeseed or sunflower seed oil.
- Meat and fat require smaller amounts of oil, because they already contain grease; when grilling fish and vegetables more oil can be applied on the grilling surface. By adding oil, you can prevent food from sticking to the grilling surface or from scorching.
- Before each use, preheat the ceramic grill plate.
- Place the prepared food products directly on the grilling surface or in appropriate GN containers.
- Grilling surface can be used in the following way:
  - full-surface grilling on 1/1 GN or
  - grilling on 2/3 GN (left and middle grilling surfaces) combined with a gentle food warming function on 1/3 GN (right grilling surface/food warming surface or in GN containers)





## **HOT SURFACE! Danger of burns!**

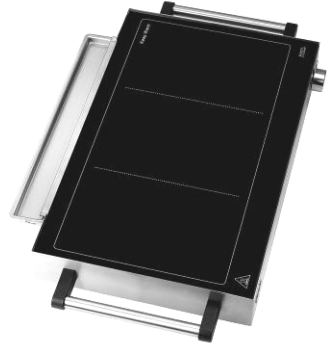
The grilling surface gets hot quickly and remains hot for some time after being turned off. To avoid burns, do not touch the grilling surface!

- After grilling, remove any food remains as well as oil into the drip tray using the Ceran plate scraper.
- Check and empty the drip tray regularly. Clean it as needed and reattach to the device.



## **CAUTION!**

**Never use the device without the properly attached drip tray.**



- To avoid mixing of tastes and aromas of different food products, remove food remains from the grilling surface before starting the next stage of grilling.
- Prepare food products in the following order: vegetables after a meat or fish.
- Use aluminum foil for stewing food or when you want to preserve its natural juices and aroma.
- When grilling, avoid using sugars or liquids containing sugar. If sugar is necessary, wrap the food product in aluminum foil or place it in an appropriate GN container.



## **NOTE!**

**If sugar, syrup, milk etc. is spilt over the grilling surface, remove it carefully with a Ceran plate scraper when the grilling surface is still hot: if allowed to cool down, food remains (especially sugar or syrup) are difficult to remove.**

- You may use any preferred grill utensils for placing and removing grilled food (forks, tongs, etc.), **but plastic kitchen utensils must not be used.**  
**Never place plastic containers on the grilling surface.**
- **Never** use knife to cut food products directly on the grilling surface, as you may damage the surface.
- When you finish using the ceramic grill plate, set the temperature control knob to „OFF“ position, switch the function switch to „0“ position and disconnect the device from the power supply (pull the plug!).

## 6. Cleaning



### CAUTION!

**Disconnect the unit from the power supply (unplug!) before cleaning.**

**The unit is not designed to be rinsed with running water.**

**Do not use a pressure washer to clean the device!**

**Be careful and do not let the water into the unit.**

### Cleaning

- Before you perform any cleaning, make sure the device has cooled down.
- Remove the grilling remains with an appropriate Ceran plate scraper or paper towel.
- Should there be any remains that cannot be easily removed, wet them with a sponge and heat the device for a few minutes at the highest temperature setting “HI”. Turn the device off and remove food remains with a Ceran plate scraper.
- Clean **the Ceran grill surface** with a soft cloth soaked in warm water with a mild cleaning agent.
- Remove **the dip tray**, empty and clean it with a soft cloth or sponge with a mild cleaning agent. Rinse the dip tray with clean water and then dry it thoroughly before reinstalling in the device.
- Clean **the body** and **side handles** of the device regularly with a soft, moist cloth.
- All the cleaned surfaces should be dried thoroughly.
- Use only soft cloths, **never** use any abrasive cleaning pads which could scratch the device surface.

### Storage

- If the device is not used for any lengthy period, clean it according to the aforementioned description and store it in dry, clean place protected against cold, sun and children. Do not place any heavy objects on the device.



## 7. Waste disposal

### Discarding old devices

At the end of its service life the discarded device has to be disposed in accordance with the national regulations. It is advisable to contact a company which is specialized in waste disposal, or just contact the local disposal service in your community.



#### **WARNING!**

**To exclude any abuse and the dangers involved make the waste device unfit for use before disposal. For that purpose disconnect device from mains supply and remove mains connection cable from the device.**



#### **CAUTION!**



**For the disposal of the device please consider and act according to the national and local rules and regulations.**