

254L - 350L



700473 - 700323

Bartscher GmbH
Franz-Kleine-Str. 28
D-33154 Salzkotten
Germany

Phone: +49 5258 971-0

Fax: +49 5258 971-120

Technical Support Hotline: +49 5258 971-197

www.bartscher.com



Version: 1.0

Date of preparation: 2023-08-21

Original instruction manual

1	Safety	2
1.1	Explanation of Signal Words	2
1.2	Safety instructions.....	3
1.3	Intended Use	6
1.4	Unintended Use	6
2	General information	7
2.1	Liability and Warranty	7
2.2	Copyright Protection	7
2.3	Declaration of Conformity	7
3	Transport, Packaging and Storage	8
3.1	Delivery Check.....	8
3.2	Packaging	8
3.3	Storage	8
4	Technical Data.....	9
4.1	Technical Specifications	9
4.2	List of Components of the Appliance	12
4.3	Functions of the Appliance.....	14
5	Installation and operation	14
5.1	Installation.....	14
5.2	Operation	20
6	Cleaning and Maintenance	22
6.1	Safety Instructions for Cleaning	22
6.2	Cleaning.....	22
7	Possible Malfunctions.....	24
8	Disposal.....	26



Read this instruction manual before using and keep it available at all times!

This instruction manual contains information about installation, operation and maintenance of the appliance and constitutes an important source of information and reference guide. The knowledge of all operational and safety instructions included in this manual is a prerequisite for safe and proper handling of the appliance. Additionally, accident prevention, occupational health and safety, and legal regulations in force in the area the appliance is used apply.

Before you start using the appliance, especially before turning it on, read this instruction manual in order to avoid personal injuries and property damages. Improper use may cause damage.

This instruction manual forms an integral part of the product and must be stored in an immediate vicinity of the appliance and be available at all times. The instruction manual should be transferred together with the appliance.

1 Safety

This appliance has been manufactured in accordance with technical standards currently in force. However, the appliance may be a source of hazards if used improperly or contrary to its intended purpose. All persons using the appliance must consider information included in this instruction manual and observe safety instructions.

1.1 Explanation of Signal Words

Important safety instructions and warning information are indicated in this instruction manual with appropriate signal words. You must strictly follow the instructions, to prevent accidents, personal injuries and property damages.



DANGER!

The signal word **DANGER** warns against hazards that lead to severe injuries or death if the hazards are not avoided.



WARNING!

The signal word **WARNING** warns against hazards that may lead to moderate or severe injuries or death if the hazards are not avoided.



CAUTION!

The signal word **CAUTION** warns against hazards that may lead to light or moderate injuries if the hazards are not avoided.

IMPORTANT!

The signal word **IMPORTANT** indicates possible property damages, which may occur if safety instructions are not observed.

NOTE!

The symbol **NOTE** indicates subsequent information and guidelines for the user on usage of the appliance.

1.2 Safety instructions

Electrical Current

- Too high a mains voltage or incorrect installation may cause electric shock.
- The appliance may be connected only if data on the rating plate correspond with the mains voltage.
- To avoid short-circuit, the appliance should be kept dry.
- If there are malfunctions during operation, disconnect the appliance from the power supply.
- Do not touch the appliance's plug with wet hands.
- Never take hold of the appliance if it has fallen into water. Immediately disconnect the appliance from the power supply.
- Any repairs or housing opening may be carried out by professionals and relevant workshops only.
- Do not transport the appliance, holding it by the power cord.
- Do not allow the power cord to come into contact with heat sources or sharp edges.
- Do not bend, pinch nor knot the power cord.

- Always completely unwind the power cord.
- Never place the appliance or other objects on the power cord.
- Always take hold of the plug to disconnect the appliance from the power supply.
- Check the power cord regularly for damage. Do not use the appliance if the power cord is damaged. If this cable is damaged, it must be replaced by customer service or a qualified electrician in order to avoid dangers.

Fire hazard / flammable materials hazard / explosion hazard!

- Do not use any electric devices in the appliance.
- Do not store nor use petrol or other flammable liquids and gases in the vicinity of this or any other appliance. Those gases may cause fire or explosion hazard.
- Do not put into the appliance any explosive materials, like sprays filled with flammable propellants. Contents of containers filled with flammable gases and liquids may leak in low temperatures, and the contents may catch fire from sparks generated by an electric appliance. Explosion hazard!
- In the case of coolant leakage, pull the plug from the socket. Remove all sources of ignition in the vicinity, ventilate room and contact technical service. Avoid coolant getting in contact with eyes, as it may cause serious eye damage.
- Never use any flammable liquids for cleaning the appliance or its parts. Gases released may cause fire or explosion hazard.
- In the case of fire, disconnect the appliance from the power supply before attempting adequate fire-extinguishing actions.
- Never attempt to extinguish fire with water if the appliance is connected to the power supply. Following extinction of fire, ensure sufficient fresh air inflow.
- Defrosting process may not be sped up with mechanical means or heat energy sources (candles or heaters) nor with any other means. Vapour produced may cause short-circuit and too high temperatures may damage the appliance.
- All ventilation slots should not be obstructed during operation.
- Never attempt to damage cooling installation of the appliance.

Safety

Operating Personnel

- The appliance may only be operated by qualified personnel and trained specialist personnel.
- This appliance may not be operated by persons (including children) with limited physical, sensory or mental capabilities, nor by persons with limited experience and/or limited knowledge.
- Children should be supervised to ensure that they are not playing with or switching on the appliance.

Improper Use

- Unintended or prohibited use may cause damage to the appliance.
- The appliance may only be used when its technical condition is flawless and allows for safe operation.
- The appliance may only be used when all connections are executed according to rules of law in force.
- The appliance may only be used when it is clean.
- Use only original spare parts. Never attempt to repair the appliance on your own.
- Do not introduce any changes in the appliance nor modify it.

- Do not drill hole in the appliance nor install any objects on it.
- Do not place any heavy objects on the appliance.

1.3 Intended Use

As described below, every use of the appliance for a purpose differing and/or diverging from its intended standard use, is prohibited and considered to be an unintended use.

The following is an intended use:

- Cooling and storage of suitable beverages.

1.4 Unintended Use

An unintended use may lead to personal injuries or property damages caused by hazardous voltage, fire or high temperature. The appliance may only be used to perform tasks described in this instruction manual.

The following is an unintended use:

- Storing flammable or explosive objects and liquids, such as ether, petroleum or adhesives;
- Storing explosive materials, like sprays filled with flammable propellants;
- Storing pharmaceutical products or preserved blood;
- Storing live pets.

2 General information

2.1 Liability and Warranty

All information and instructions in this instruction manual account for legal regulations in force, current level of technical engineering knowledge as well as our expertise and experience, developed over the years. If special models or additional options are ordered, or state-of-the-art technical solutions were implemented, the actual scope of delivery of the appliance may, in some circumstances, differ from descriptions and numerous drawings in this instruction manual.

The manufacturer is not liable for any damages nor faults stemming from:

- failure to observe instructions,
- unintended use,
- technical alterations introduced by the user,
- usage of unapproved spare parts.

We reserve the right to introduce technical modifications to the product, intended for improvement of the appliance and its performance.

The warranty period for this appliance is 24 months, counted from the purchase date.

EN

2.2 Copyright Protection

This instruction manual, and texts, drawings and images included in it, as well as its other components are copyright protected. It is prohibited to reproduce this instruction manual (including its excerpts), in any form and by any means, and to use and/or transfer its content to third parties without manufacturer's written permission. Violation of the above results in obligation to pay compensation. We reserve the right to claim further damages.

2.3 Declaration of Conformity

The appliance meets the currently applicable standards and guidelines of the European Union. We confirm the above in the EC Declaration of Conformity. We may provide relevant Declaration of Conformity upon request.

3 Transport, Packaging and Storage

3.1 Delivery Check

Immediately upon reception, check the delivery for completeness and possible shipping damage. In the case of visible transport damage refuse to accept the appliance or accept it conditionally. Mark and note the scope of damage in shipping documents/consignment list of the shipping company and lodge a complaint.

Concealed damage must be reported immediately upon its discovery, as compensation claims may only be filed within applicable time limits.

If you find that parts or accessories missing, please contact our Customer Service Department.

3.2 Packaging

Do not dispose of the appliance cardboard box. It may be used to store the appliance when relocating or when shipping the appliance to our service point in the case of any damages.

The packaging and its elements are made of recyclable materials. Particularly, these are: plastic films and bags, cardboard box.

When disposing of the packaging, observe applicable domestic regulations. Recyclable packaging materials should be recycled.

3.3 Storage

Leave the packaging closed until installation of the appliance; observe external indications concerning method of placing and storage. Store the packaging in the following conditions only:

- in closed rooms;
- in dry and dust-free surrounding;
- away from aggressive agents;
- in a location protected against sunlight;
- in a location protected against mechanical shocks.

In the case of extended storage (over three months), make sure you check the condition of the packaging and the parts regularly. If needed, replace the packaging with a new one.

4 Technical Data

4.1 Technical Specifications

Version / Characteristics 700473 – 700323

- Cooling: static
- Thermostat
- Control: rotary control knob
- Insulation: cyclopentane, CS
- Automatic defrost function
- Evaporation of condensed water
- Door type: leaf door
 - 700473 - solid door
 - 700323 - glass pane door, cased / framed, double glazing, safe glass
- Right-hand side door, with the possibility for door hinge to be changed
- Type of shelves: grille, steel, powder-coated
- Height-adjustable shelves
- Internal lighting
- Internal lighting ON/OFF switch
- ON/OFF control light:
 - 700473 - no
 - 700323 - yes

Name:	Bottle cooler 254L
Art. No.:	700473
Material:	plastic, white
Inner material:	HIPS (High Impact Polystyrole)
Volume, in l:	254
Temperature range, min.–max., in °C:	0 - 8
Temperature control, levels:	7
Ambient temperature, min.–max., in °C:	16 - 43
Amount of coolant, in kg:	R600a / 0,024
Climate class:	N-T
Energy efficiency class:	F (EU Nr. 2019 / 2016)
Energy consumption, in kWh/year:	131
GWP index:	3
Number of doors:	1
Number of shelves:	5
Shelves dimensions (W x D), in mm:	492 x 401
Connected load:	0,12 kW 230 V 50 Hz
Dimensions (W x D x H), in mm:	600 x 620 x 1.450
Weight, in kg:	52,0

We reserve the right to implement technical modifications.

More information on the appliance is available in our website www.bartscher.com or, pursuant to the Regulation (EU) 2019/2016, in our product data base at <https://energy-label.ec.europa.eu/>. Enter article number for a given model.

Name:	Bottle cooler 350L
Art. No.:	700323
Material:	plastic, white
Inner material:	HIPS (High Impact Polystyrole)
Volume, in l:	350
Temperature range, min.–max., in °C:	2 - 10
Temperature control, levels:	5
Ambient temperature, min.–max., in °C:	16 - 32
Amount of coolant, in kg:	R600a / 0,065
Climate class:	2
Energy efficiency class:	D (EU Nr. 2019 / 2018)
Energy consumption, in kWh/year:	744
GWP index:	3
Number of doors:	1
Number of shelves:	5
Shelves dimensions (W x D), in mm:	521 x 351
Connected load:	0,23 kW 230 V 50 Hz
Dimensions (W x D x H), in mm:	600 x 600 x 1.730
Weight, in kg:	67,0

We reserve the right to implement technical modifications.

More information on the appliance is available in our website www.bartscher.com or, pursuant to the Regulation (EU) 2019/2018, in our product data base at <https://energy-label.ec.europa.eu/>. Enter article number for a given model.

4.2 List of Components of the Appliance

Bottle Cooler 700473

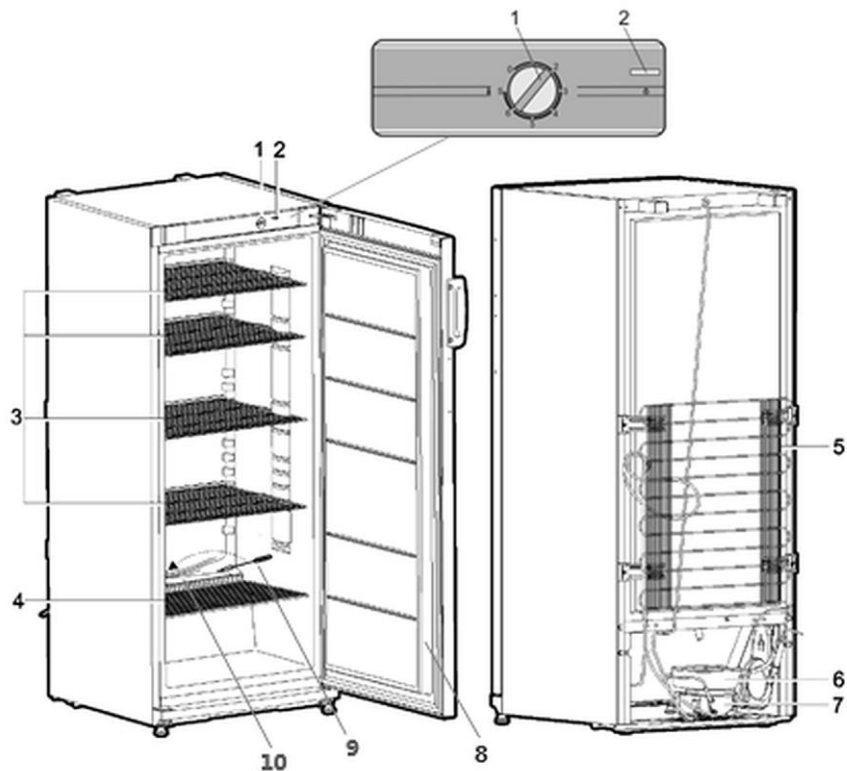


Fig. 1

- | | |
|--|--------------------------------------|
| 1. Temperature controller | 2. Internal lighting switch |
| 3. Height-adjustable shelves (4 pcs) | 4. Permanently fixed shelves (1 pcs) |
| 5. Condenser | 6. Condensed water drip tray |
| 7. Compressor | 8. Door |
| 9. Cleaning tool for condensed water drip tray | 10. Drain system |

Bottle Cooler 700323

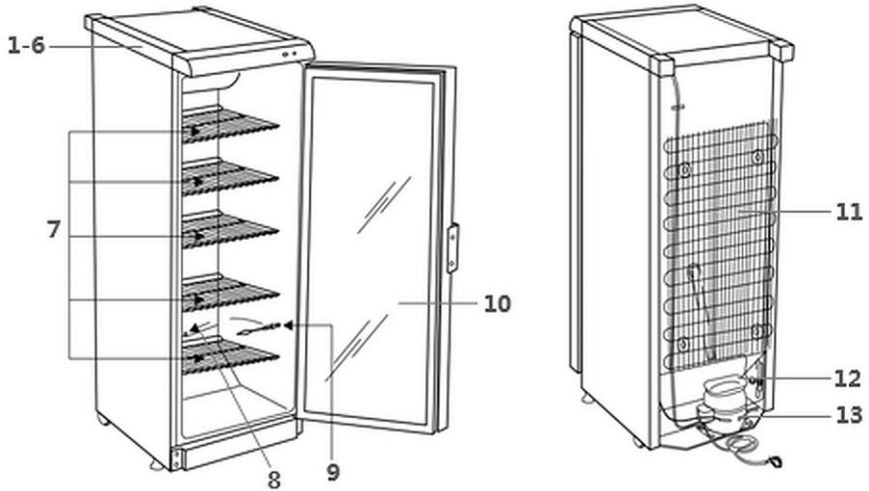


Fig. 2

Control Elements / Displayed Messages

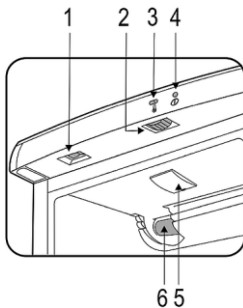


Fig. 3

1. Internal lighting switch
2. Temperature controller
3. Temperature level display
4. Green indicator light
5. LED lighting
6. Fan
7. Height-adjustable shelves (5 pcs)
8. Drain system
9. Cleaning tool for condensed water drain tray
10. Glass pane door with aluminium frame
11. Condenser
12. Condensed water drip tray
13. Compressor

4.3 Functions of the Appliance

The bottle cooler has been designed for cooling and storage of suitable beverages. Thanks to height-adjustable shelves, the volume of 254 litres (or 350 litres) may be used exactly according to the needs.

5 Installation and operation

5.1 Installation

Unpacking / Positioning

- Unpack the appliance, remove all external and internal packaging elements and shipment safeguards.



CAUTION!

Choking hazard!

Prevent children from accessing package materials, for instance: plastic bags and EPS.

- If the appliance is covered with a protective film, remove it. Remove the film slowly, so no glue residues are left. Remove any glue residues with the use of a suitable solvent.
- Be careful not to damage the rating plate and warning labels fixed on the appliance.
- **Never** place the appliance in humid or wet environment.
- Place the appliance in a way making the connections easily accessible, so that they may be quickly disconnected if such a need arises.
- The appliance should be placed on surfaces that are:
 - even, with sufficient bearing capacity, resistant to water, dry and resistant to high temperatures;
 - sufficiently large, and thus enabling usage of the appliance with no problems;
 - easily accessible;
 - well ventilated.

Preparation of the Appliance

1. Remove packaging from the appliance.
2. Remove the appliance from foam pad.
3. Remove the adhesive tape.

ATTENTION!

The appliance is equipped with bolted door handle. If used incorrectly, it may break off.

Do not use the door handle for raising nor for moving the appliance.

4. During installation, tilt a notch the front part of the appliance. It will make it possible to easily move it on wheels to the selected location.
5. Open the cooler door.
6. Remove the set of seals over the cooler door.

NOTE!

When opening the appliance door, a small red piece will fall out — it is needed for transportation purposes only.

7. Remove the red adhesive tape, which is needed for transportation purposes only.
8. Use two supports (1) and insert them in guides (2) in the top section of the rear wall (Fig. 4).

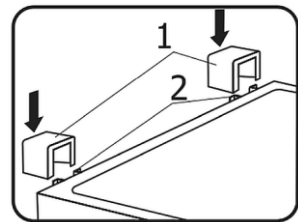


Fig. 4

9. Remove all red elements from shelves (Fig. 5); they are needed for transportation purposes only.

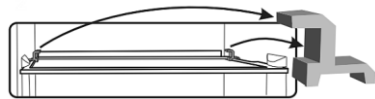


Fig. 5

- Do not place the appliance in direct sunlight or in the vicinity of heat sources (cooker, radiator, heating devices, etc.). Heat sources may negatively affect power consumption, and restrict functions of the appliance, too.

- Place the appliance so that sufficient air circulation is ensured. Leave 10 cm clearance from walls and other objects.
- In order to avoid damage to the compressor, do not tilt the appliance more than 45° when positioning or transporting it.
- If the appliance is to be relocated, follow the instructions below:
 - switch the appliance off;
 - disconnect the plug from the socket;
 - take out contents of the appliance;
 - tape firmly all loose elements in the internal chamber and tape the door;
 - the appliance may only be transported in vertical position.

NOTE!

Two persons are needed for setting the appliance!

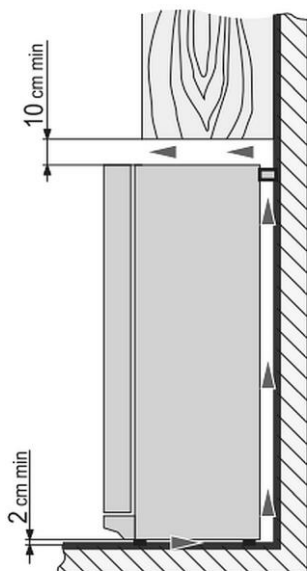


Fig. 6

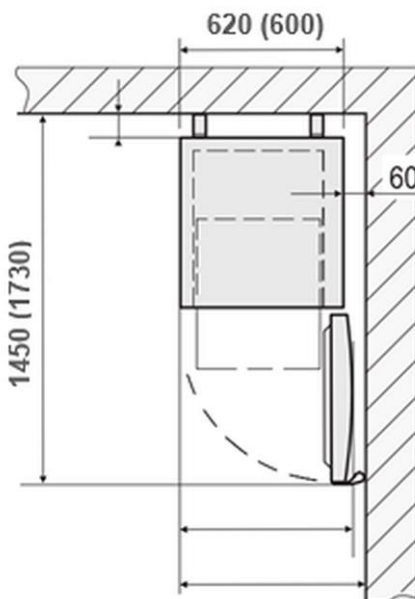


Fig. 7

- The ventilation opening in the top part of the cooler may not be obstructed; it is necessary to provide for uninterrupted air circulation.
- Maintain a minimum clearance of 10 cm between the top side of the appliance and objects that are above it (e.g., a cabinet) (Fig. 6).

ATTENTION!

If the provided clearance values are not maintained, the power consumption rises or the compressor overheats.

- If the appliance is to be installed in a corner, maintain a lateral clearance of at least 60 mm (Fig. 7).
- Set the appliance on a level surface; it may not lean against a wall.
- If such a needed arises, adjust the height, by rotating the legs: rotate them clockwise to raise the front part of the appliance; rotate them counter-clockwise to lower the front part of the appliance. If the cooler is set with very minute tilt backwards, the door closes automatically.

Power supply connection

- Verify if technical data of the appliance (see rating plate) correspond with the local electric power grid specification.
- Connect the appliance to a single, properly grounded mains socket with protective contact. Do not connect the appliance to a multi-socket.
- The power cord should be laid in a way preventing anyone from threading on it or tripping against it.
- If during installation the appliance was tilted by more than 30°, wait for at least 4 hours before connecting the appliance to power supply. Otherwise, the compressor may malfunction.
- After switching off (for cleaning, repair, re-location, etc.), the appliance may be switched back on to the power supply no earlier than after 15 minutes.

EN

Changing the Hinge Side

- The hinges of the cooler may be changed from right to left, as needed.
- Engage at least one more person to change the cooler door's hinge side.
- The following tools are required: flat spanner No. 8 and 10, Phillips screwdriver.

ATTENTION!

Before changing the door's hinge side, disconnect the appliance and pull the plug out of the socket.

Do not place the appliance in horizontal position in order to change the door's hinge side.

Changing the Hinge Side 700473

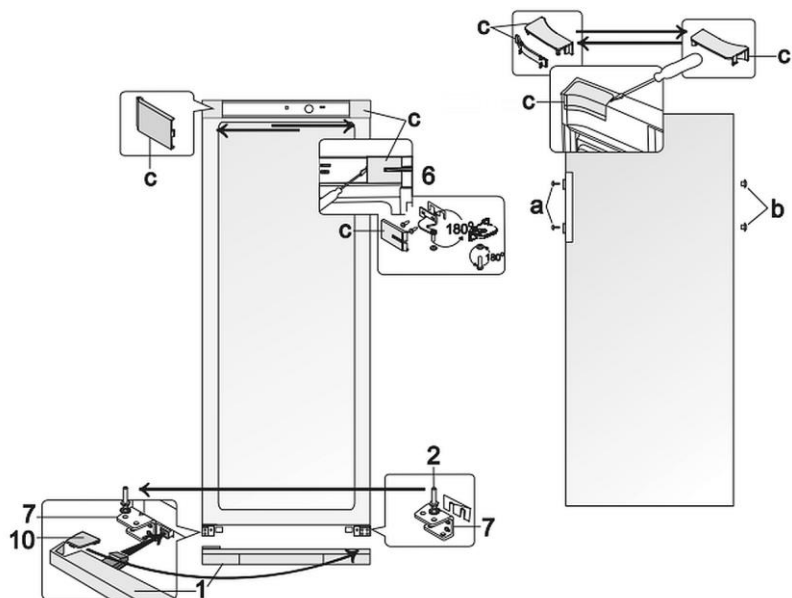


Fig. 8

1. Remove cover strips (c, Fig. 8) from the housing and the internal side of the door.
2. Remove the top support (6) together with washers and a plastic gasket under the support.
3. Remove the cooler door.
4. Remove the bottom cover strip (1).
5. Loosen the support stud (2) on the bottom support (7).
6. Bolt it with all washers on the opposite support (7), symmetrically with the previous location.
7. Set the cooler door on the support stud (2), moving it from the support (7).
8. Rotate the support (6) with the support stud, washers and plastic gasket by 180°.
9. Undo the support stud with washers and bolt it anew at the other side of the support.
10. Insert the support (6) into cooler door and screw it in openings at the other side of the cooler.

Installation and operation

11. Cover the support and the free opening with blind plugs (c).
12. Remove bolt blind plugs (a) and caps (b) of the door handle.
13. Undo bolts of the door handle.
14. Screw the handle anew at the other side.
15. Press the caps into openings in the door, and place blind plugs on bolts.
16. Remove the cover (10) of the bottom guard (1) and insert it in guides at the other side of the bottom cover (1) (symmetrically with the previous position).
17. Insert the left and right feet of the bottom cover (1) in openings and move the cover until it engages.

Bottle Cooler 700323

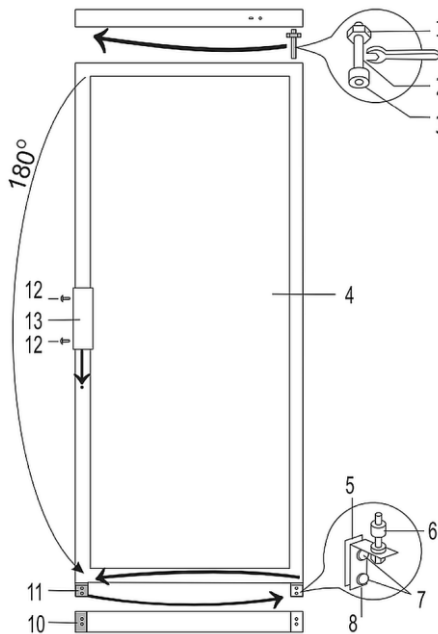


Fig. 9

1. Undo two bolts (7, Fig. 9) and remove the bottom support from the hinge (8), together with the set of washers (6) on the axis, as well as intermediate element (5).
2. Undo bolts (7) and remove the support from the hinge (11).
3. Remove the door (4).

4. Undo the bearing journal (2), together with a nut (1) and washers (3), out of the top support of the hinge.
5. Install the entire set at the opposite side of the door.
6. First, rotate the door (4) by 180°, and then slide the top bearing journal (2) into the door (4) and hang the door (4).
7. Undo fastening bolts (12) from the door and remove the door handle (13).
8. Install the door handle (13) at the opposite side.
9. Close the openings for bolt with expansion plugs.
The plate (10) remains in its place.
10. First, slide the bearing journal (2) in the door, and then install the bottom hinge support (8) with the set of washers and gaskets at the opposite side of the cooler.
11. Install the hinge support (11) at the opposite side of the cooler.

5.2 Operation

Indications for the User

- Shelves may be positioned at various heights. Arrange them adequately to the size of beverage containers, so that the inner space is used optimally.
- Beverages in containers should be arranged on the shelves so that proper distances between them allow for sufficient air circulation inside the appliance. Insufficient distances hinder the cooling effect.
- To limit loss of cold air minimize the opening time of door during operation. Also, do not open the door too frequently.
- If possible, in the event of a sudden power failure, avoid opening doors in order to avoid loss of cool air.
- The power supply to the cooler should not be interrupted for more than 10 minutes.
- If the appliance is switched off for a longer period of time, the door of the cooler should remain open.

Before First Use

1. Prior to first operation, clean the appliance and its equipment according to instructions in section **6 'Cleaning'**.
2. To end with, dry the appliance and accessories thoroughly.
3. Introduce the shelves into the appliance at the selected height.
4. Close the appliance door.

Installation and operation

5. Plug the appliance into a suitable single socket.
6. Before first use and before putting any beverage bottles in, the appliance should reach the set temperature.

It takes approximately 2–3 hours.

7. Set the temperature in the bottle cooler.

Temperature Control in Bottle Cooler 700473 (Fig. 1)

The appliance temperature is set by rotating the temperature controller (1).
The temperature may be set in the range of 0–7:

0 — compressor is disconnected

ATTENTION!

The appliance is still connected to the power supply.

1 — the highest temperature (the weakest cooling)

7 — the lowest temperature (the strongest cooling)

NOTE!

If products in the cooler are too cold, set the temperature controller to levels 1, 2 or 3. If products are chilled to an insufficient degree, use the temperature setting of 4, 5 or 6.

Temperature Control in Bottle Cooler 700323 (Fig. 2)

After switching the appliance on, the green power indicator light is lit.

The temperature is set by rotating the temperature controller (2) in the inner chamber of the appliance. With solid cooler door, the set level may be read in the temperature level display (3).

The temperature may be set in the range of 0–5:

0 — compressor is disconnected.

ATTENTION!

The appliance is still connected to the power supply.

1 — the highest temperature (the weakest cooling)

5 — the lowest temperature (the strongest cooling)

NOTE!

If products in the cooler are too cold, set the temperature controller to levels 1–2. If products are chilled to an insufficient degree, use the temperature setting of 3, 4 or 5.

6 Cleaning and Maintenance

6.1 Safety Instructions for Cleaning

- Before cleaning, disconnect the appliance from the power supply.
- Leave the appliance to cool down completely.
- Make sure water does not enter the appliance. Do not immerse the appliance in water or other liquids during cleaning. Do not clean the appliance with a pressurized water jet.
- Do not use any sharp or pointed, nor metal implements (knife, fork, etc.). Sharp or pointed implements may damage the appliance, and when in contact with live parts, they may cause electric shock.
- For cleaning, do not use any scouring agents that contain solvents nor corrosive cleaning agents. They may damage the surface.

EN

6.2 Cleaning

1. Wash the appliance regularly.
2. Remove all objects from the appliance and store them temporarily in a cool room.
3. Remove all shelves from the appliance.
4. Clean shelves with mild washing agent and soft cloth or sponge in warm water.
5. Rinse shelves with clean water and dry thoroughly with soft cloth.
4. Internal surfaces of the appliance and all plastic elements should be protected against fats, acids, sauces. If, nonetheless, they reach the surface, clean the affected place immediately with warm water and a mild cleaning agent.

ATTENTION!

Never use hot water to clean the appliance.

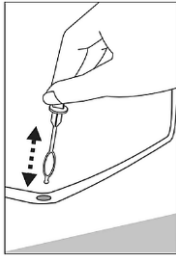


Fig. 10

5. The discharge opening of the condensed water drain tray should be cleaned regularly with the provided cleaning tool.

6. Wipe the internal and external surfaces of the appliance with a soft, damp cloth. Use mild cleaning agent if required.
7. Clean the door and the door seal of the appliance with a soft, damp cloth and a mild cleaning agent.
8. Wipe the washed surfaces with a cloth moistened in clean water.
9. Dry washed surfaces thoroughly afterwards.
10. After cleaning, leave the door open for the appliance to dry completely.



Fig. 11

11. At least once a year wipe dust collected at the rear wall and the compressor.

Soil compressor negatively affect operation of the appliance and increases power consumption.

ATTENTION!

Never clean the compressor with water!

12. Use a soft, dry brush, electrostatic cloth or vacuum cleaner.

7 Possible Malfunctions

The table below contains descriptions of possible causes and solutions to malfunctions or errors during operation of the appliance. When malfunction cannot be removed, contact the technical service.

Error	Possible Cause	Solution
No functions available	Plug improperly inserted into a socket	Remove the plug and insert it properly in the socket
	Electric power supply safety fuse damaged	Check the fuse, connect the appliance to another socket
	No power supply	Check the electric power supply
Insufficient cooling efficiency	Condenser obstructed with dust	Clean the condenser thoroughly
	Direct sunlight or heat sources in immediate vicinity	Move the appliance away from heat sources
	Poor air circulation around the appliance	Keep sufficient clearance from walls or other objects
	Door is not closed properly or it has been opened for too long	Close the door tightly; limit the door opening time to minimum
	Damaged or deformed door seal	Contact the service company
	Too little clearance between objects inside the appliance or too many objects in the appliance	Provide for sufficient clearance between objects inside the appliance; remove the excess of objects
	Incorrectly set temperature controller	Set the temperature control correctly

Possible Malfunctions


Error	Possible Cause	Solution
Noise level of the appliance rises	Appliance is not placed on even surface	Place the appliance on even surface
	Appliance touches walls or other objects	Keep sufficient clearance from walls or other objects
	Bottles in the cooler in contact with each other	Assure sufficient clearance between bottles
Water is collected in the condensed water drain tray, but does not discharge correctly	Clogged discharge opening of the condensed water drain tray	Clean the discharge opening of the condensed water drain tray with the cleaning tool
Door seal bulge when door is opened	Door seal contaminated with tacky food products (grease, syrup, etc.)	Clean the door seal with warm water and a mild cleaning agent, and dry thoroughly
Water under the cooler	Condensed water drip tray slid off of the compressor	Put the condensed water drip tray on the compressor again
Surface of the cooler fogged	Air humidity in the surrounding exceeds 70%	Ventilate room in which the cooler is located and remove the source of humidity

The following phenomena are not malfunctions:

- Various sounds that are generated by the cooler during operation are a normal phenomenon and do not indicate any malfunctions.
- Splashing, bubbling and hums are generated by the coolant that circulates the system.
- Short, louder whirring/hooting or clicking sounds may be heard when the compressor of the appliance starts.

8 Disposal

Electrical Appliance

	<p>Electric appliances are marked with this symbol. Electrical appliances must be disposed of and recycled in a correct and environmentally friendly manner. You must not dispose of electric appliances with household waste. Disconnect the appliance from the power supply and remove power cord from the appliance.</p>
---	---

Electrical appliances should be returned to designated collection points.

Coolant

The propellant used in the appliance is flammable. It should be utilised pursuant to national regulations in force.